

## H52HAS24XX *Series* Standard

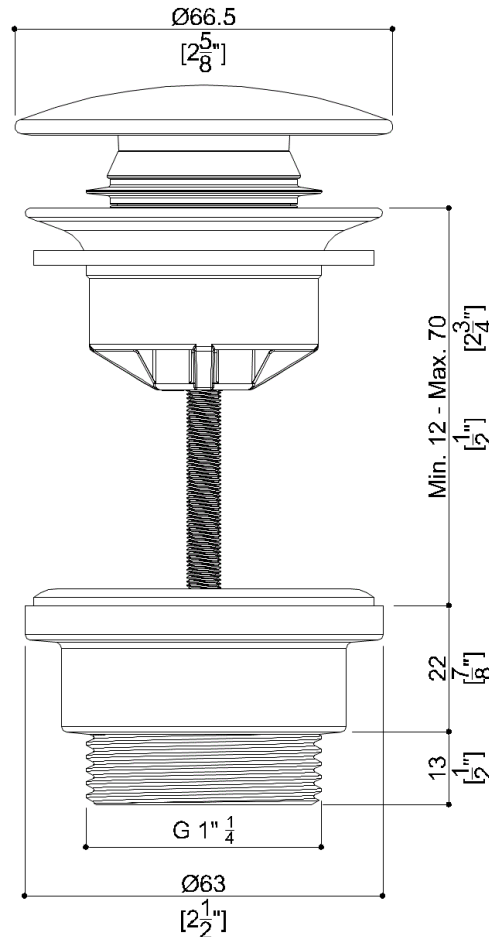
1" 1/4 "push-open" drain with stainless steel cover and ABS body.

### Product Data

Overall Dimensions (Inch.)	2-5/8x2-5/8x4-1/8
Net Weight (lbs.)	0.28

### Packaging Details

Package	LDPE bag in cardboard box
Package dimensions (Inch.)	2-13/16 x 2-13/16 x 3-7/8
Weight with Packaging (lbs.)	0.33



## H52HAS24XX *Series* Standard

### Available Finishes (xx)



### Materials and finishes

ABS	Chrome
Stainless Steel	Polished

### Warning

Before installation and use, read the installation and use instructions in their entirety. If questions arise please contact Ponte Giulio company.

### Cleaning

The device is not affected by the room's temperature, though it must NOT be installed in environments subject to temperatures below 4°C or above 40°C.

Do not install in saunas. Not comply with the indicated temperatures may damage the plastic coating of the device.

### Warranty

Please visit [www.pontegiulio.com](http://www.pontegiulio.com) for complete warranty details.