

**G41JCS20XX** Series Vinyl coated

34" Antimicrobial vinyl coated folding grab bar with support leg. No pinch flange and follows commercial child safety protocol. No maintenance 3mm thick antimicrobial vinyl coating. Stainless steel mounting plate concealed by ABS flange cover.

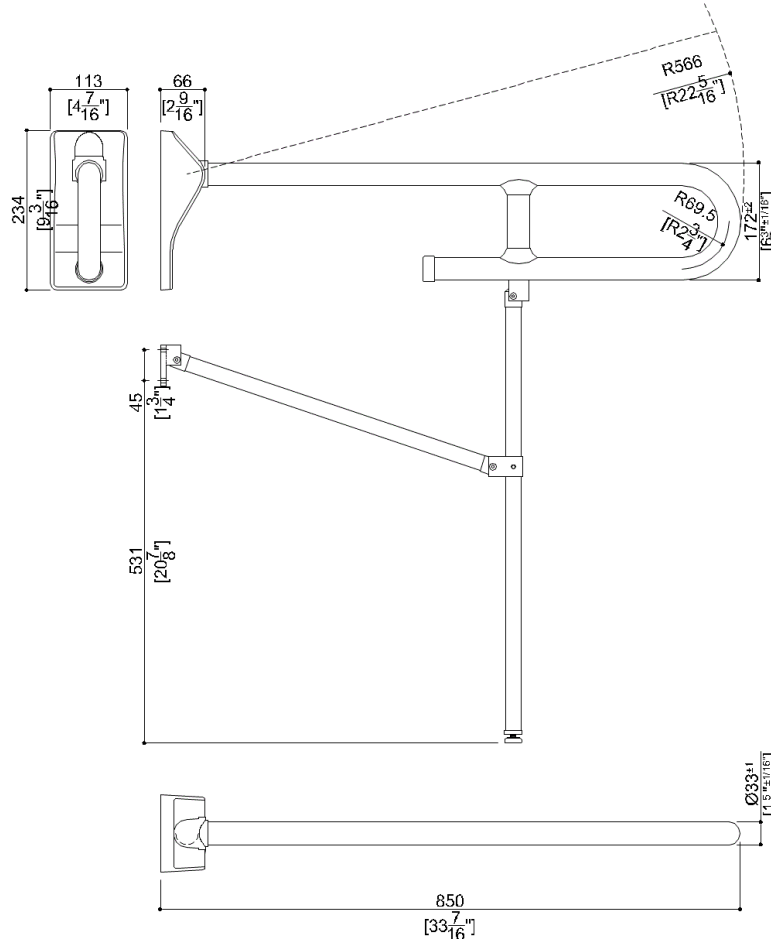
Mounting hardware not supplied.

**Product Data**

Overall Dimensions (Inch.)	4-7/16x33-7/16x35-5/16
Net Weight (lbs.)	10.36

**Packaging Details**

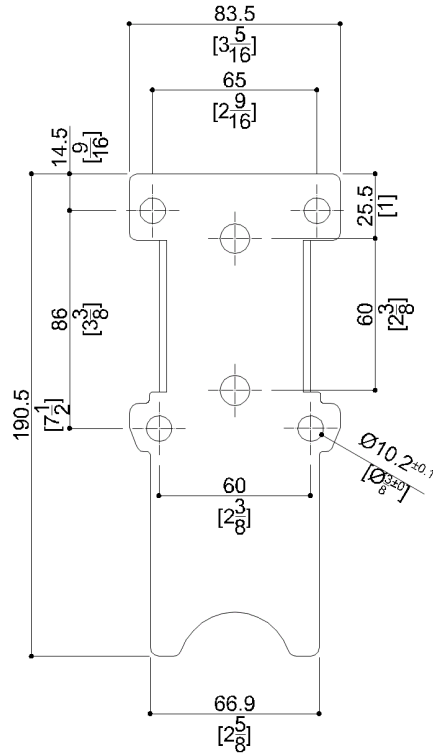
Package	LDPE bag in cardboard box
Package dimensions (Inch.)	47-3/8 x 7-11/16 x 12
Weight with Packaging (lbs.)	13.01



**G41JCS20XX** Series Vinyl coated

Y88JKS77

AISI304 stainless steel fixing plate



**Available Finishes (xx)**

<b>B1</b> Blue	<b>D1</b> Black	<b>D2</b> Greystone
<b>D4</b> Dark Gray	<b>I2</b> Biscuit	<b>P4</b> Prune
<b>R7</b> Ruby red	<b>W1</b> White	<b>Y3</b> Light Yellow

**Materials and finishes**

Steel	Galvanised
Stainless Steel	N/A.
Polyamide	Polished
Vinyl	Polished

**Load Capacity**

Vertical	265 lbs.
----------	----------

**Warning**

Before installation and use, read the installation and use instructions in their entirety. If questions arise please contact Ponte Giulio company.

**Cleaning**

The device is not affected by the room's temperature, though it must NOT be installed in environments subject to temperatures below 4°C or above 40°C. Do not install in saunas. Not comply with the indicated temperatures may damage the plastic coating of the device.

**Warranty**

Please visit [www.pontegiulio.com](http://www.pontegiulio.com) for complete warranty details.