

G41JCS19XX Series Vinyl coated

28" Antimicrobial vinyl coated folding grab bar with support leg. No pinch flange and follows commercial child safety protocol. No maintenance 3mm thick antimicrobial vinyl coating. Stainless steel mounting plate concealed by ABS flange cover.

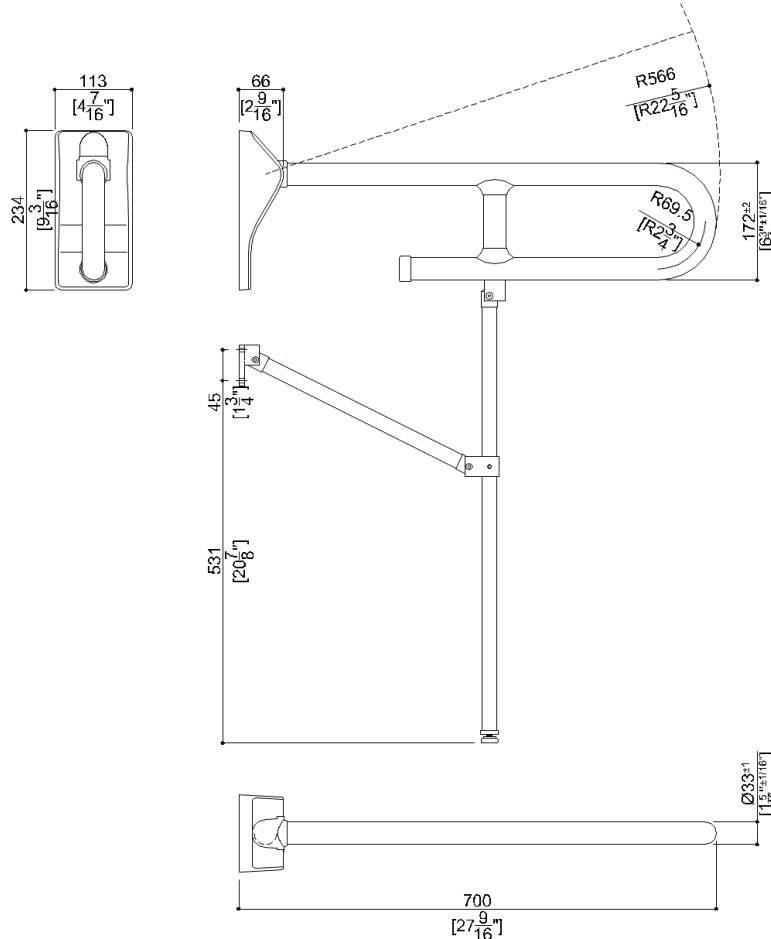
Mounting hardware not supplied.

Product Data

Overall Dimensions (Inch.)	4-7/16x27-9/16x35-5/16
Net Weight (lbs.)	9.83

Packaging Details

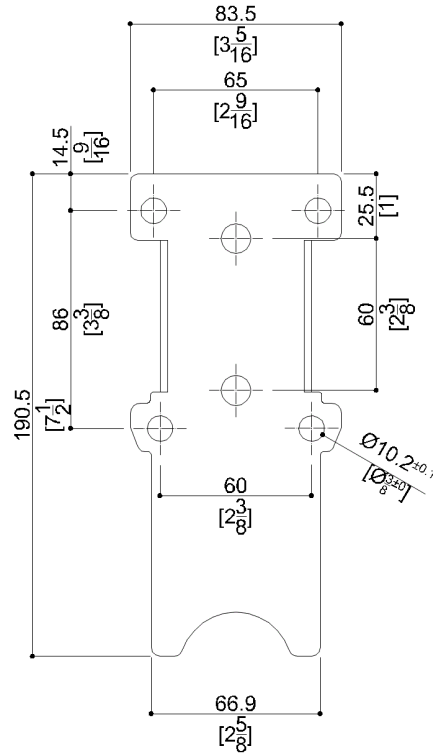
Package	LDPE bag in cardboard box
Package dimensions (Inch.)	41-5/16 x 8-1/2 x 13-5/8
Weight with Packaging (lbs.)	12.35



G41JCS19XX Series Vinyl coated

Y88JKS77

AISI304 stainless steel fixing plate



Available Finishes (xx)

B1 Blue	D1 Black	D2 Greystone
D4 Dark Gray	I2 Biscuit	P4 Prune
R7 Ruby red	W1 White	Y3 Light Yellow

Materials and finishes

Steel	Galvanised
Stainless Steel	N/A.
Polyamide	Polished
Vinyl	Polished

Load Capacity

Vertical	331 lbs.
----------	----------

Warning

Before installation and use, read the installation and use instructions in their entirety. If questions arise please contact Ponte Giulio company.

Cleaning

The device is not affected by the room's temperature, though it must NOT be installed in environments subject to temperatures below 4°C or above 40°C. Do not install in saunas. Not comply with the indicated temperatures may damage the plastic coating of the device.

Warranty

Please visit www.pontegiulio.com for complete warranty details.