

G18JCS07XX Series HUG

24" folding grab bar, removable

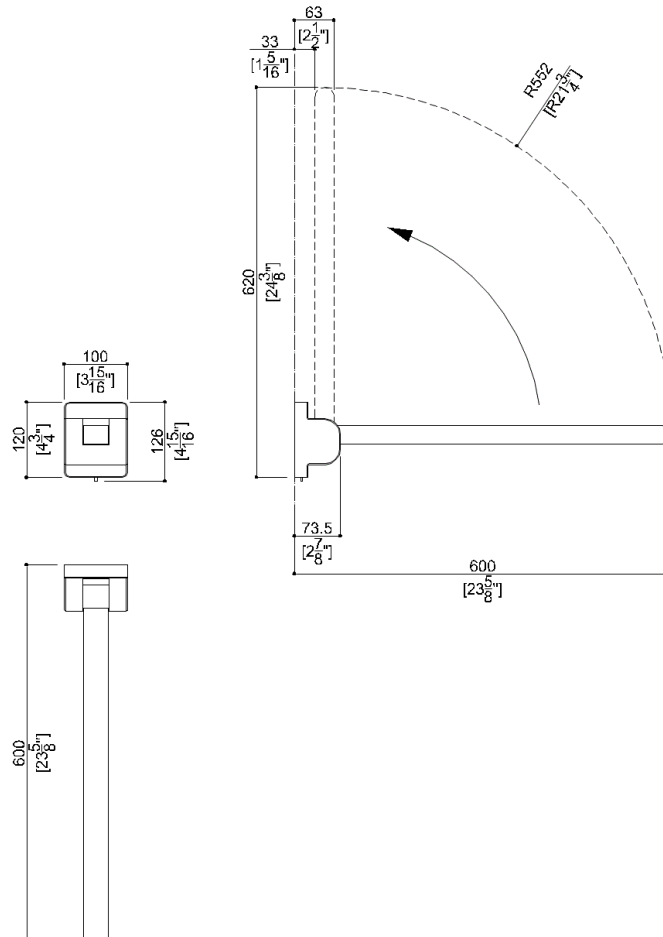
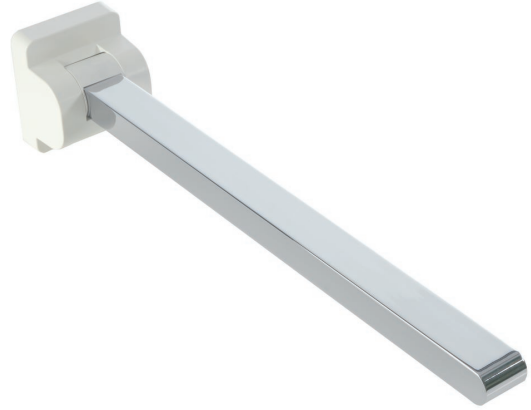
Optional accessories for this product: F18AGS01, F18JMS01, F18JIS01

Product Data

Overall Dimensions (Inch.)	3-15/16x23-5/8x4-3/4
Net Weight (lbs.)	5.95

Packaging Details

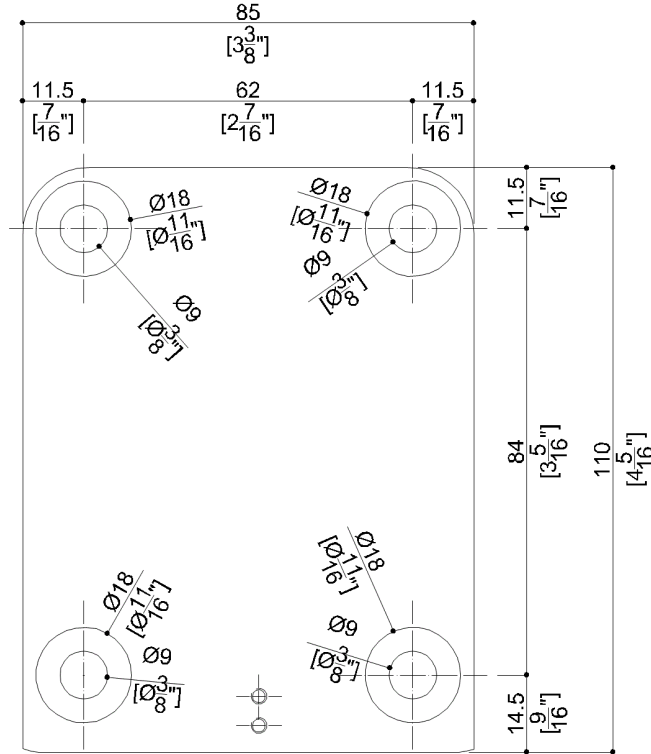
Package	LDPE bag in cardboard box
Package dimensions (Inch.)	25 x 5-11/16 x 4-5/16
Weight with Packaging (lbs.)	6.5



G18JCS07XX Series HUG

Y88JKS82

Alluminum fixing plate



Available Finishes (xx)

Arm finish

C1 Chrome	DD Graphite	DM Black Matte
E4 Satin Pink Gold	E5 Satin Black Nickel	E6 Satin Dark Bronze
PB Coral	WE Signal White	

Flange cover finish

C1 Chrome	D4 Dark Gray	DM Black Matte
E4 Satin Pink Gold	E5 Satin Black Nickel	E6 Satin Dark Bronze
DM Coral	WE Signal White	

Materials and finishes

Aluminium	Matt
Aluminium	Polished
ABS	Matt

Load Capacity

Vertical	331 lbs.	Horizontal	220 lbs.
----------	----------	------------	----------

Warning

Before installation and use, read the installation and use instructions in their entirety. If questions arise please contact Ponte Giulio company.

Cleaning

The device is not affected by the room's temperature, though it must NOT be installed in environments subject to temperatures below 4°C or above 40°C. Do not install in saunas. Not comply with the indicated temperatures may damage the plastic coating of the device.

Warranty

Please visit www.pontegiulio.com for complete warranty details.