

F18AGS01XX Series HUG

Toilet paper holder for HUG folding grab bar

Mounting hardware supplied for wood stud installation. This product can only be used with: G18JCS07, G18JCS08, G18JCS09

Product Data

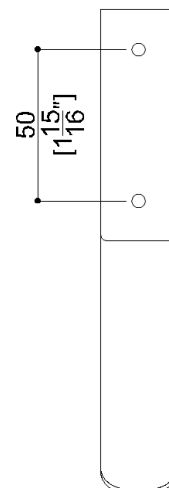
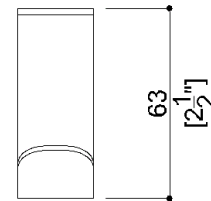
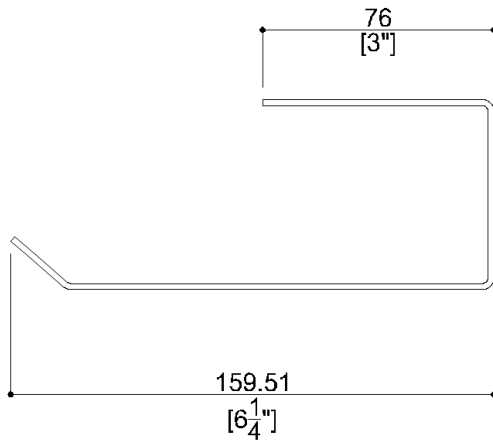
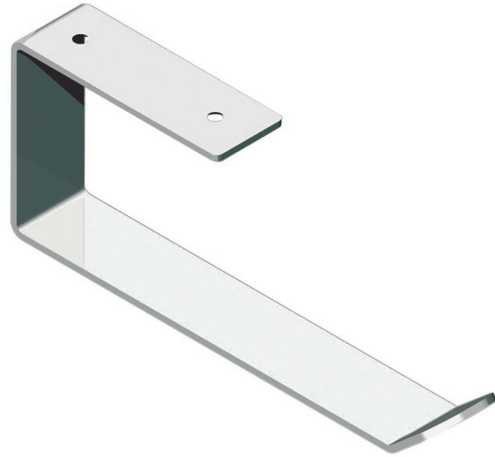
Overall Dimensions (Inch.)	1x6-5/16x2-1/2
Net Weight (lbs.)	0.25

Installation Hardware Details

Stainless steel screw

Packaging Details

Package	Cardboard package
Package dimensions (Inch.)	6-11/16 x 6-5/16 x 1-11/16
Weight with Packaging (lbs.)	0.37



F18AGS01XX *Series* HUG

Available Finishes (xx)



Materials and finishes

Stainless Steel Polished

Load Capacity

Vertical 2 lbs.

Warning

Before installation and use, read the installation and use instructions in their entirety. If questions arise please contact Ponte Giulio company.

Cleaning

The device is not affected by the room's temperature, though it must NOT be installed in environments subject to temperatures below 4°C or above 40°C.

Do not install in saunas. Not comply with the indicated temperatures may damage the plastic coating of the device.

Warranty

Please visit www.pontegiulio.com for complete warranty details.