

Y91JOS08XX Series Standard

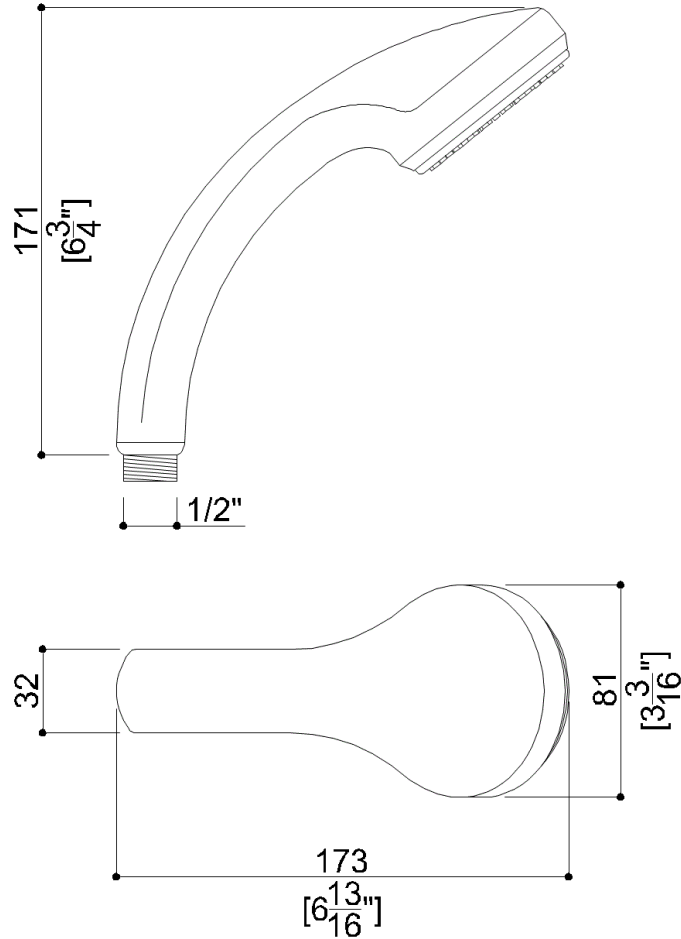
Hand Shower

Product Data

Overall Dimensions (Inch.)	3-3/16x6-13/16x6-3/4
Net Weight (lbs.)	0.33


Packaging Details

Package	Cardboard package
Package dimensions (Inch.)	3 x 3 x 9-5/8
Weight with Packaging (lbs.)	0.5



Y91JOS08XX Series Standard

Available Finishes (xx)

C1
 Chrome

Warning

Before installation and use, read the installation and use instructions in their entirety. If questions arise please contact Ponte Giulio company.

Cleaning

The device is not affected by the room's temperature, though it must NOT be installed in environments subject to temperatures below 4°C or above 40°C.

Do not install in saunas. Not comply with the indicated temperatures may damage the plastic coating of the device.

Warranty

Please visit www.pontegiulio.com for complete warranty details.

Materials and finishes

ABS Polished