

G56UHS13XX Series Bella

BELLA Spa Teak, folding shower seat. 25mm thick Okoume wooden slats with stainless steel frame and mounting plate.

Mounting hardware supplied for wood stud installation.

Product Data

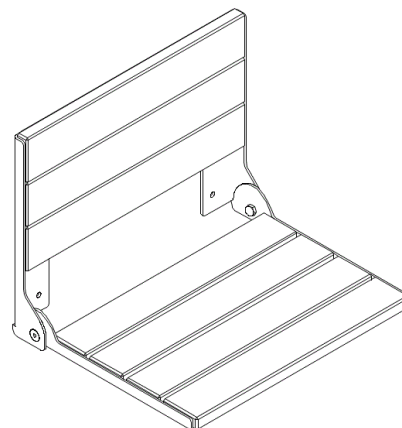
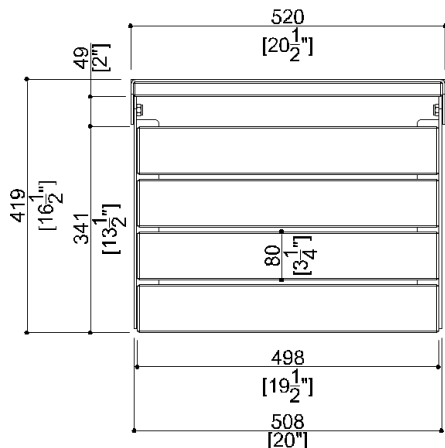
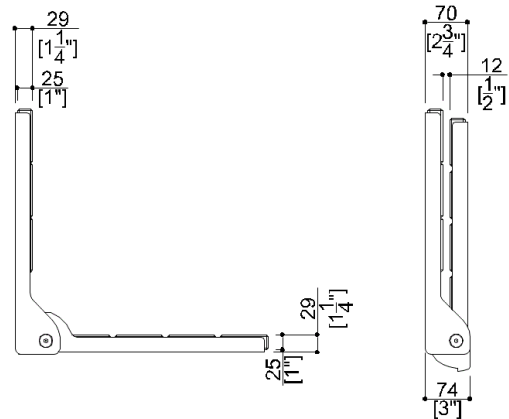
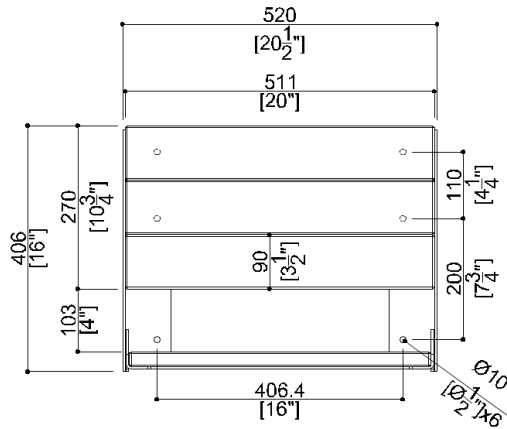
Overall Dimensions (Inch.)	20-1/2x16-1/2x16
Net Weight (lbs.)	20.06

Installation Hardware Details

Stainless steel screw	TE inox A2 8x70
-----------------------	-----------------

Packaging Details

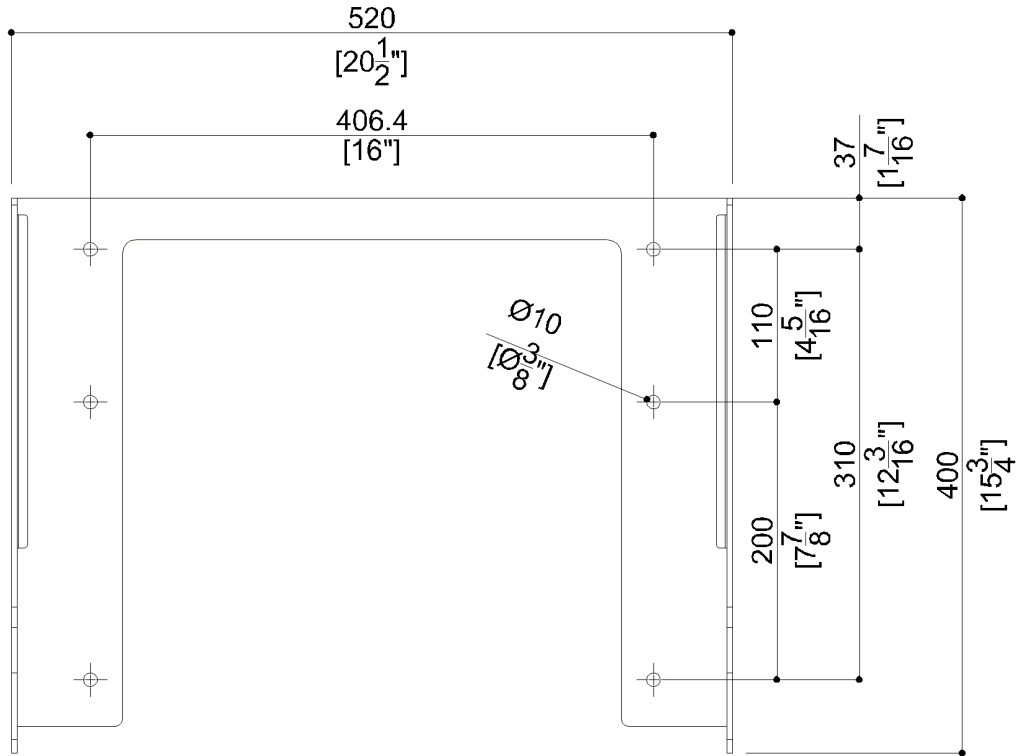
Package	LDPE bag in cardboard box
Package dimensions (Inch.)	17-11/16 x 5-1/8 x 21-11/16
Weight with Packaging (lbs.)	22.27



G56UHS13XX Series Bella

Y88DDS53

AISI304 stainless steel fixing plate



Available Finishes (xx)

Structure

N1
Satin

Seat

L7
Cherrywood

Materials and finishes

Stainless Steel Satin

Okumè Matt

Load Capacity

Vertical 600 lbs.

Warning

Before installation and use, read the installation and use instructions in their entirety. If questions arise please contact Ponte Giulio company.

Cleaning

- The grab bar is not affected by the room's temperature, though it must not be installed in locations subject to temperatures below 39°F (4°C) or above 104°F (40°C).
- Do not install in saunas.
- Not following the temperature recommendations may result in damage to vinyl coating on grab bars and flange.

Warranty

Please visit www.pontegiulio.com for complete warranty details.