

G56UHS12XX Series Bella

BELLA Weathered teak, HPL folding shower seat. HPL 15mm thick seat slats with stainless steel frame and mounting plate.

Mounting hardware supplied for wood stud installation.

Product Data

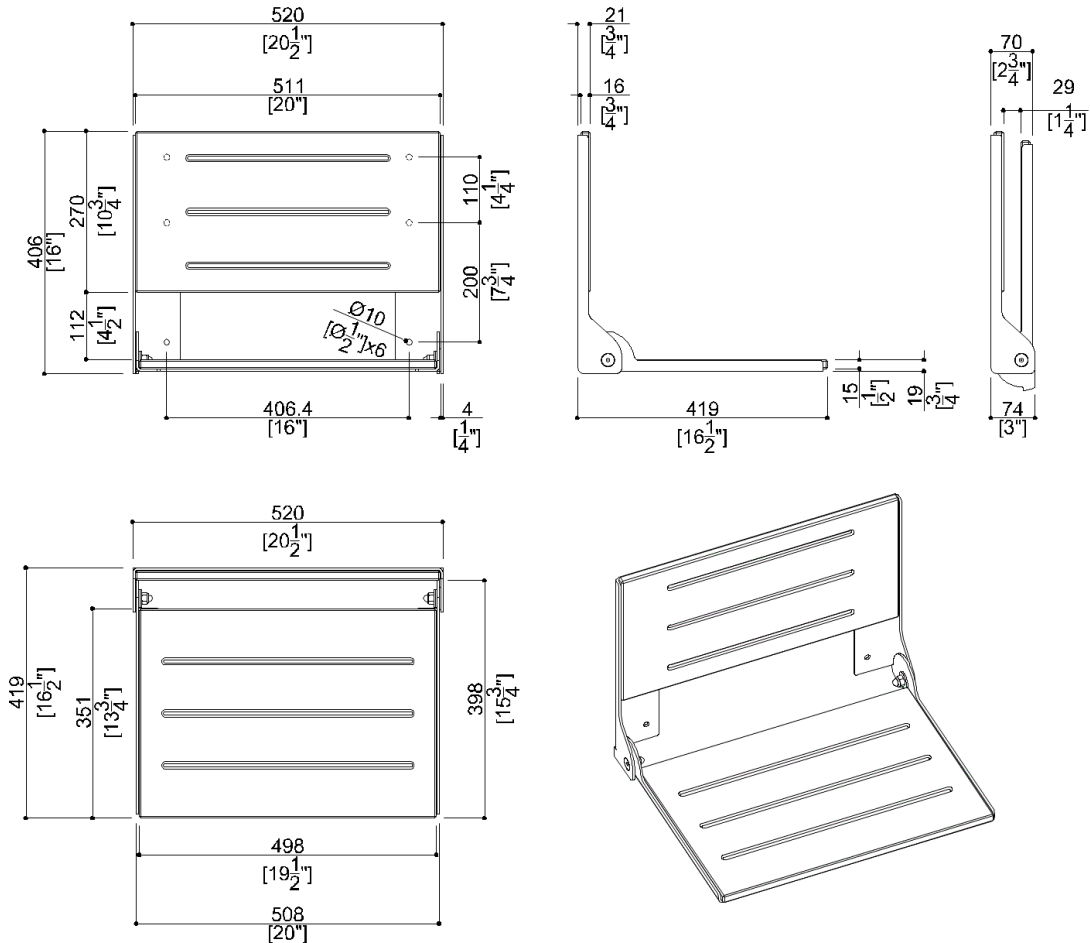
Overall Dimensions (Inch.)	20-1/2 x 16-1/2 x 16
Net Weight (lbs.)	30.2

Installation Hardware Details

Stainless steel screw	TE inox A2 8x70
-----------------------	-----------------

Packaging Details

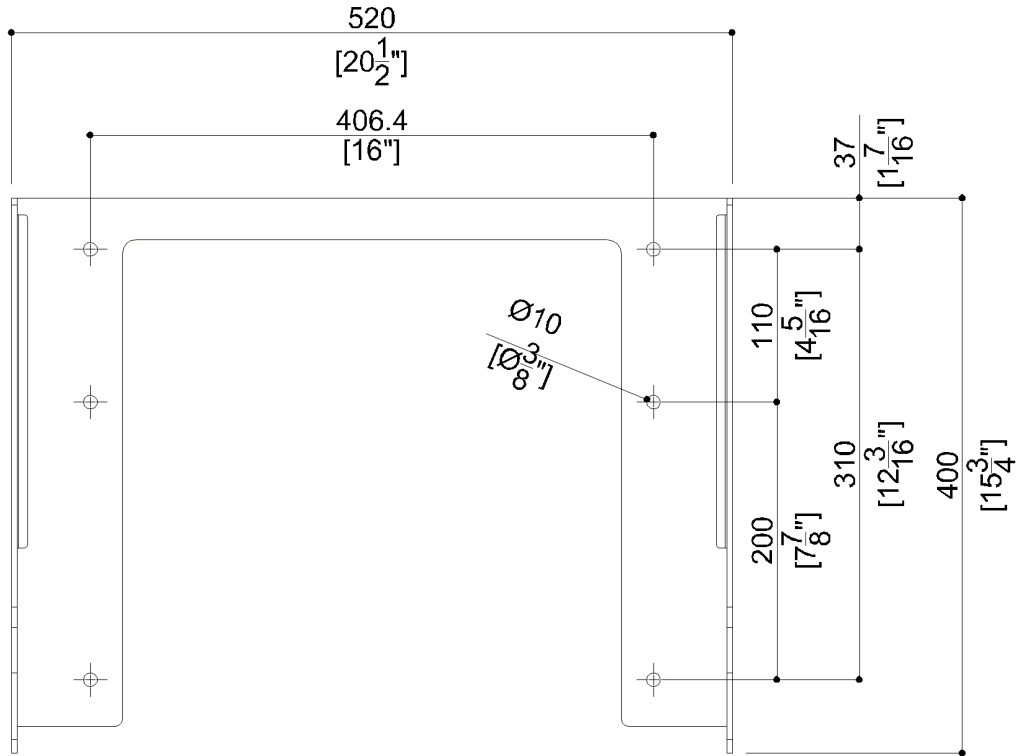
Package	LDPE bag in cardboard box
Package dimensions (Inch.)	17-11/16 x 5-1/8 x 21-11/16
Weight with Packaging (lbs.)	32.41



G56UHS12XX Series Bella

Y88DDS53

AISI304 stainless steel fixing plate



Available Finishes (xx)

Structure

N1
Satin

Slats

L6
Oakwood

Materials and finishes

Stainless Steel Satin

HPL Matt

Load Capacity

Vertical 450 lbs.

Warning

Before installation and use, read the installation and use instructions in their entirety. If questions arise please contact Ponte Giulio company.

Cleaning

- The grab bar is not affected by the room's temperature, though it must not be installed in locations subject to temperatures below 39°F (4°C) or above 104°F (40°C).
- Do not install in saunas.
- Not following the temperature recommendations may result in damage to vinyl coating on grab bars and flange.

Warranty

Please visit www.pontegiulio.com for complete warranty details.