

G12JDS10XX Series HUG

HUG folding shower seat with 16" on center mounting flanges, stainless steel frame and mounting plate, polyurethane seat

Mounting hardware not supplied. Optional accessories: G12JDS06, G12JDS07.

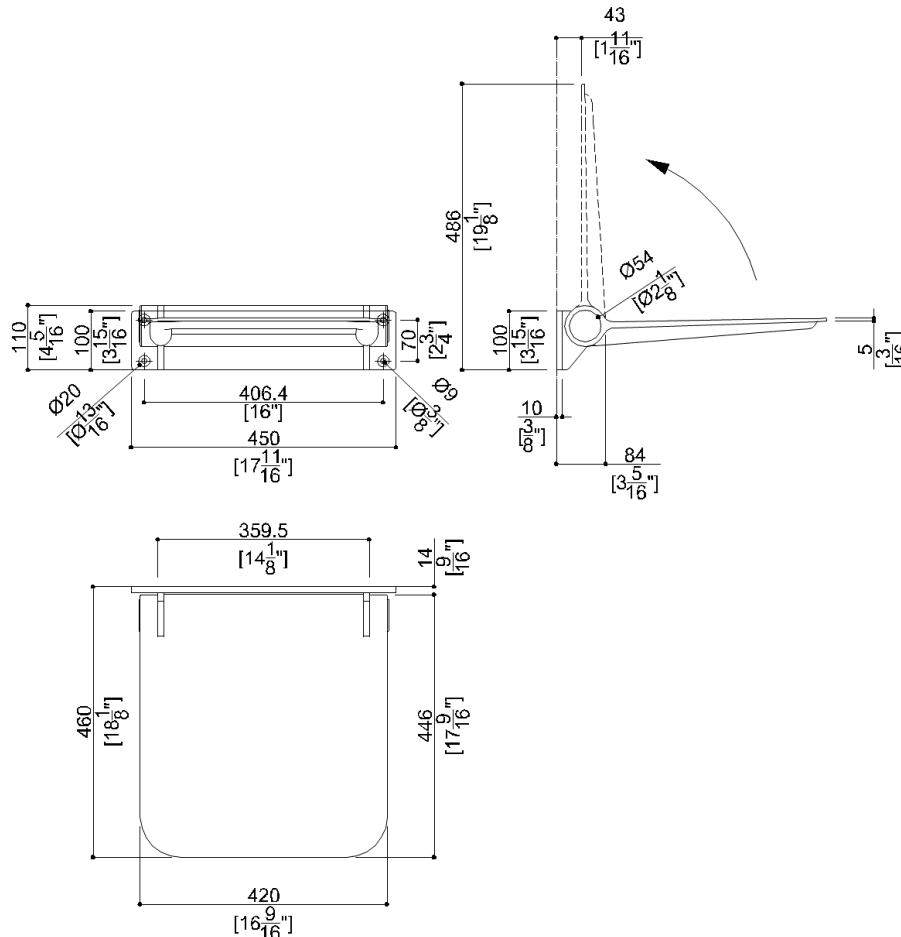
Product Data

Overall Dimensions (Inch.)	17-11/16x16x18-1/8x4-5/16
Net Weight (lbs.)	11.9

Installation Hardware Details

Packaging Details

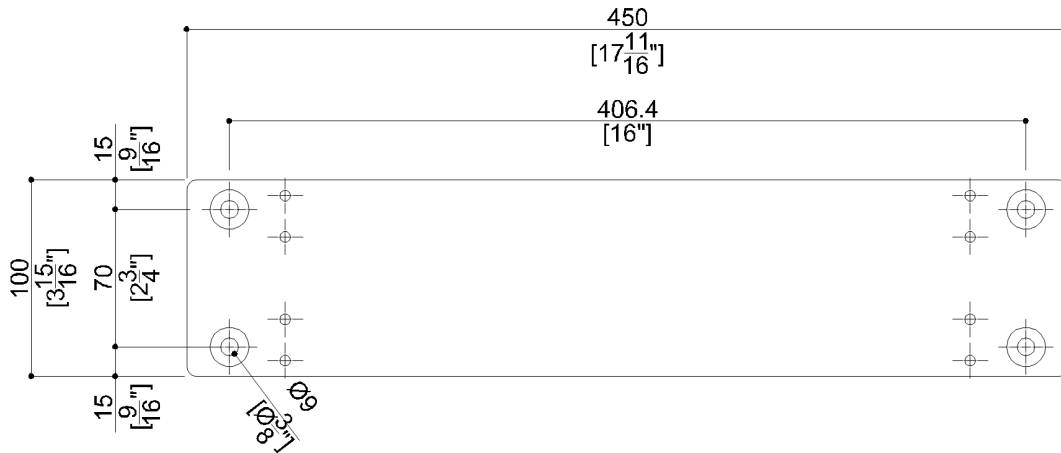
Package	LDPE bag in cardboard box
Package dimensions (Inch.)	17-5/16 x 5-1/2 x 19-1/8
Weight with Packaging (lbs.)	13.45



G12JDS10XX Series HUG

Y88JKS88

Alluminum fixing plate



Available Finishes (xx)

DD Graphite PB Coral WE Signal White

N1 Satin

Materials and finishes

Polyurethane (PU or PUR)	Matt
Stainless Steel	Rough
Aluminium	Matt

Load Capacity

Vertical 450 lbs.

Warning

Before installation and use, read the installation and use instructions in their entirety. If questions arise please contact Ponte Giulio company.

Cleaning

The device is not affected by the room's temperature, though it must NOT be installed in environments subject to temperatures below 4°C or above 40°C. Do not install in saunas. Not comply with the indicated temperatures may damage the plastic coating of the device.

Warranty

Please visit www.pontegiulio.com for complete warranty details.