

F18AGR01XX Series Family

Toilet paper holder, stainless steel, right handed.

This product can only be used on G18JAS01, G18JAS02, G18JAS04, G18JAS07.

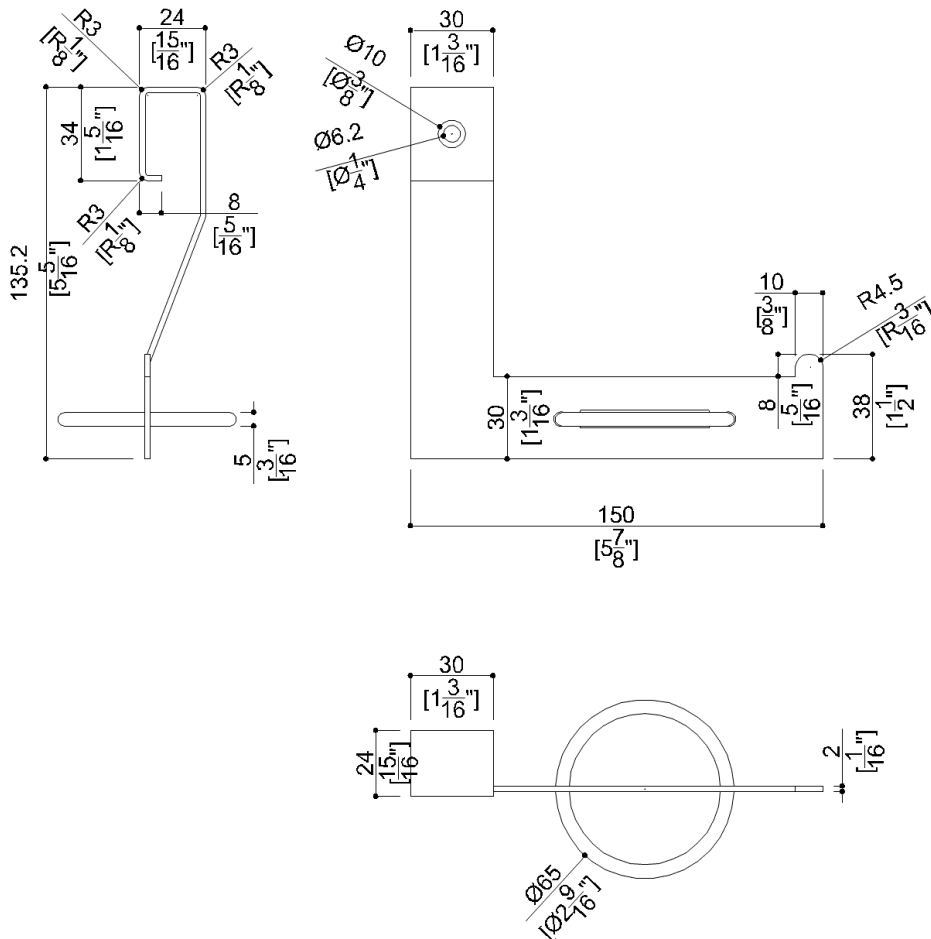
Product Data

Overall Dimensions (Inch.)	5-7/8x2-9/16x5-5/16
Net Weight (lbs.)	0.33

Installation Hardware Details


Packaging Details

Package	LDPE bag in cardboard box
Package dimensions (Inch.)	6-5/16 x 6-11/16 x 1-11/16
Weight with Packaging (lbs.)	0.44



F18AGR01XX Series Family

Available Finishes (xx)

D8	W2
 Oxide Gray	 Warm white

Materials and finishes

Stainless Steel	Polished
-----------------	----------

Warning

Before installation and use, read the installation and use instructions in their entirety. If questions arise please contact Ponte Giulio company.

Cleaning

The device is not affected by the room's temperature, though it must NOT be installed in environments subject to temperatures below 4°C or above 40°C.

Do not install in saunas. Not comply with the indicated temperatures may damage the plastic coating of the device.

Warranty

Please visit www.pontegiulio.com for complete warranty details.