

Y91JOS40XX

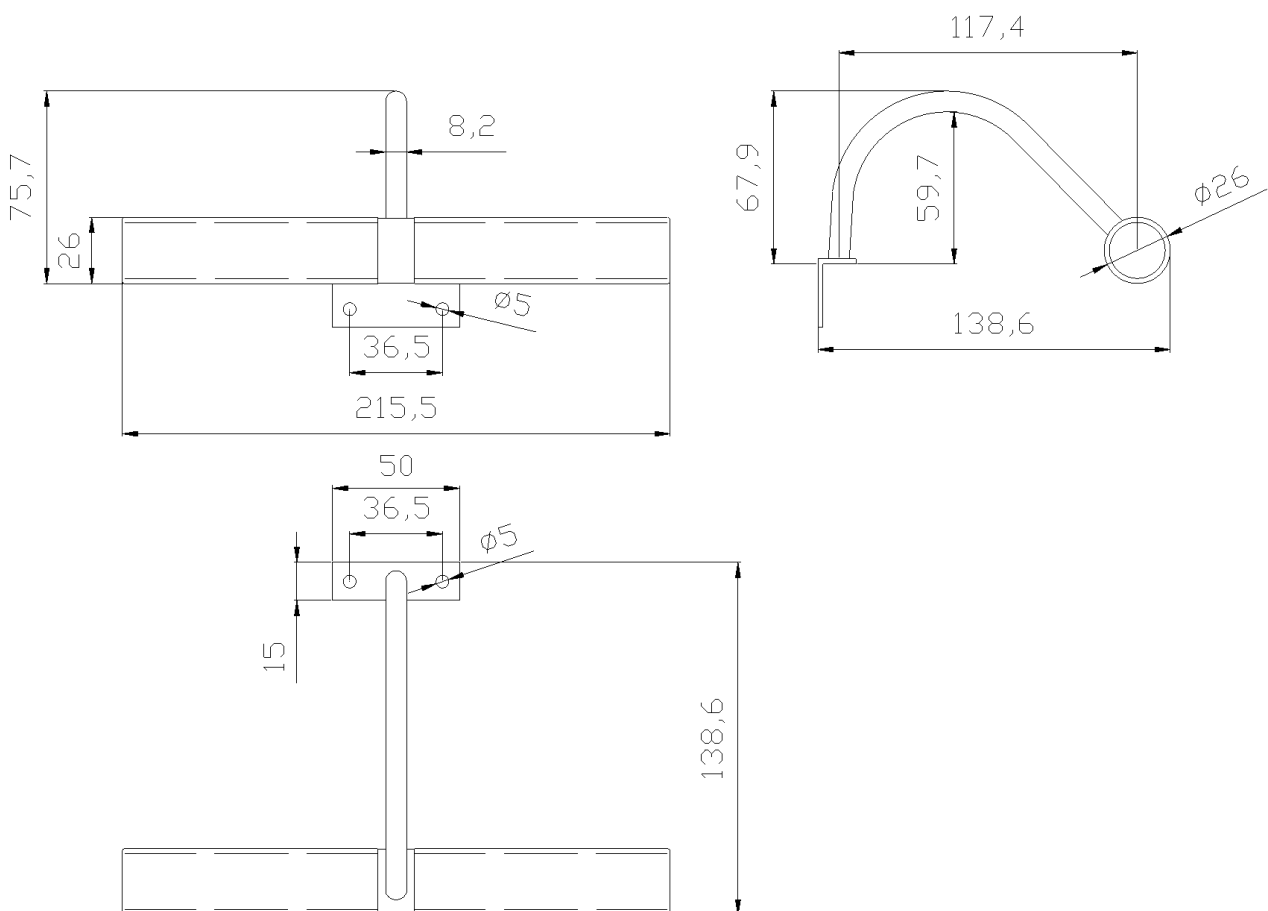
Double lamp

Physical data

Dimensions (mm.)	215x138x75
Weight (kg.)	0,300

Delivery methods

Package	Cardboard package
Package dimensions (mm.)	140x140x85
Weight with Packaging (kg.)	0,350



Y91JOS40XX

Materials and finishes

Brass

Glass

Safety tips

Before installing and using the device, read the instructions for use and especially the safety warnings carefully and follow them.
If in doubt, contact the company before using the device.

Information on use

The device is not affected by the room's temperature, though it must NOT be installed in environments subject to temperatures below 4°C or above 40°C.

Do not install in saunas. Not comply with the indicated temperatures may damage the plastic coating of the device.

Warranty

If this product fails due to a defect in material or workmanship during the time of periods listed below for each product, Ponte Giulio will replace or repair it free of charge. .

Warranty 2 YEARS