

**Y91ASS02XX** Range Standard

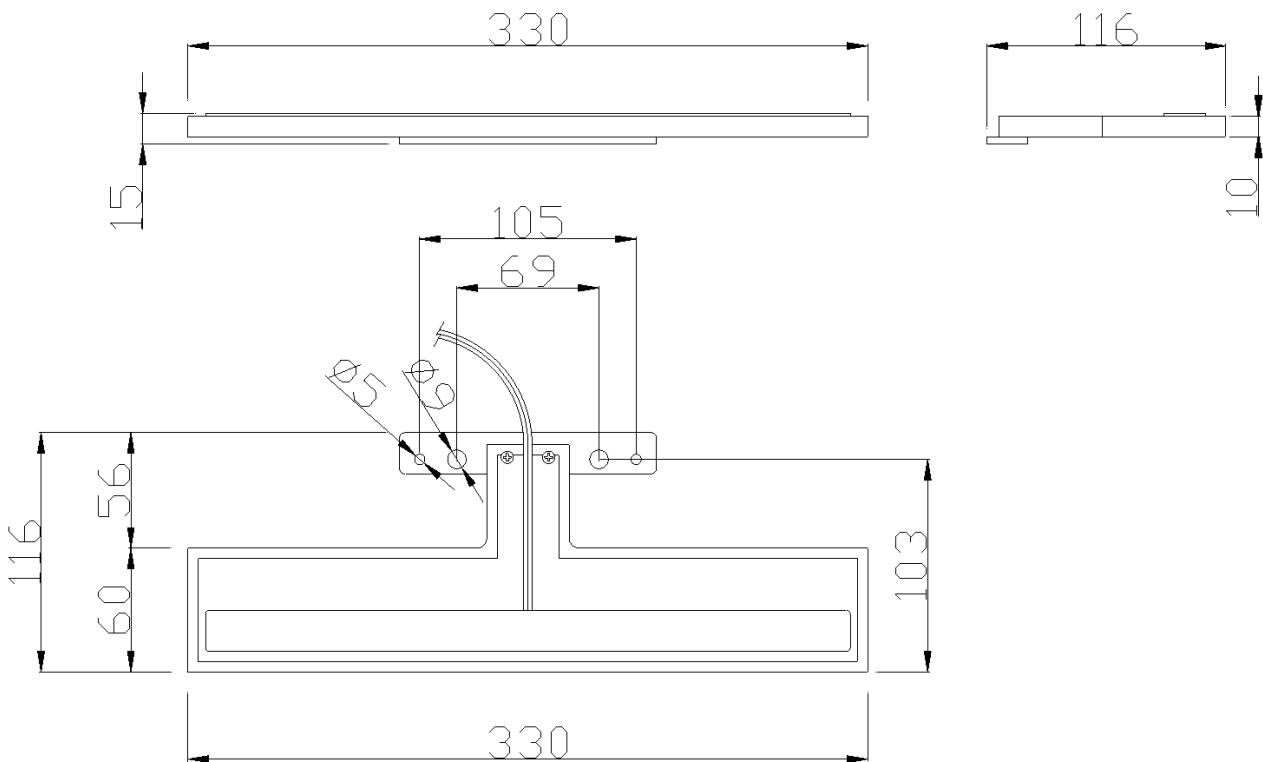
LED band lamp - 10W, 850Lm, 5500°K - in a polycarbonate housing.  
Equipped with 230V electronic ballast - IP 44

**Physical data**

Dimensions (mm.)	330x116x15
Weight (kg.)	0,500

**Delivery methods**

Package	LDPE bag in cardboard box
Package dimensions (mm.)	0,550
Weight with Packaging (kg.)	



## **Y91ASS02XX** *Range* Standard

---

### **Materials and finishes**

Polycarbonate

---

### **Safety tips**

Before installing and using the device, read the instructions for use and especially the safety warnings carefully and follow them.  
If in doubt, contact the company before using the device.

---

### **Information on use**

The device is not affected by the room's temperature, though it must NOT be installed in environments subject to temperatures below 4°C or above 40°C.

Do not install in saunas. Not comply with the indicated temperatures may damage the plastic coating of the device.

---

### **Warranty**

If this product fails due to a defect in material or workmanship during the time of periods listed below for each product, Ponte Giulio will replace or repair it free of charge. .

Warranty 2 YEARS