

B41DEO30XX *Range Casual*

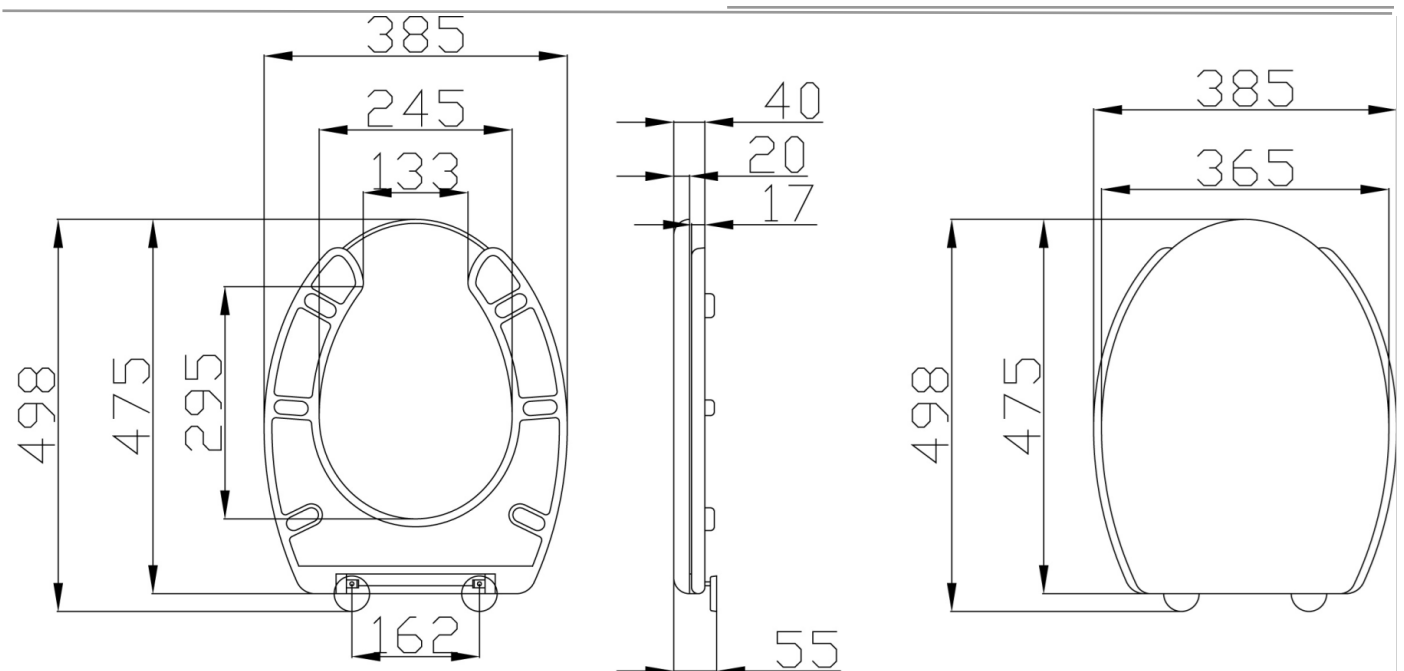
Seat with thermosetting seat cover with frontal opening

Physical data

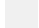
Dimensions (mm.)	385x498x55
Weight (kg.)	3

Delivery methods

Package	LDPE bag in cardboard box
Package dimensions (mm.)	400x65x510
Weight with Packaging (kg.)	3.2



Available colors

WB
 White Ceramic

Safety tips

Before installing and using the device, read the instructions for use and especially the safety warnings carefully and follow them.
 If in doubt, contact the company before using the device.

Information on use

B41DEO30XX *Range* Casual

Urea resins

Polished

The device is not affected by the room's temperature, though it must NOT be installed in environments subject to temperatures below 4°C or above 40°C.
Do not install in saunas. Not comply with the indicated temperatures may damage the plastic coating of the device.

Warranty

If this product fails due to a defect in material or workmanship during the time of periods listed below for each product, Ponte Giulio will replace or repair it free of charge. .
Warranty 2 YEARS