

B41DEC20XX *Range 130*

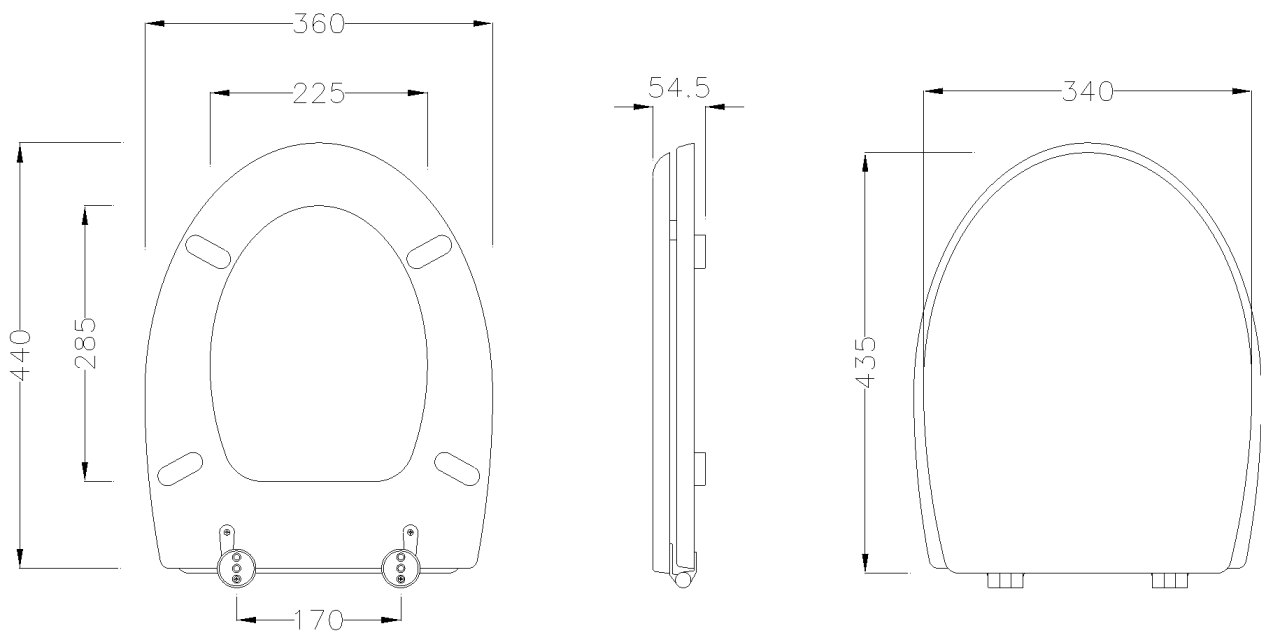
Toilet seat and seat cover made of laquered wood

Physical data

| | |
|------------------|--------------|
| Dimensions (mm.) | 360x440x54,5 |
| Weight (kg.) | 3,55 |

Delivery methods

| | |
|-----------------------------|---------------------------|
| Package | LDPE bag in cardboard box |
| Package dimensions (mm.) | 400x65x510 |
| Weight with Packaging (kg.) | 3,8 |



B41DEC20XX Range 130

Available colors

WB
 White Ceramic

Materials and finishes

Wooden Fiber Polished

Safety tips

Before installing and using the device, read the instructions for use and especially the safety warnings carefully and follow them.
If in doubt, contact the company before using the device.

Information on use

The device is not affected by the room's temperature, though it must NOT be installed in environments subject to temperatures below 4°C or above 40°C.
Do not install in saunas. Not comply with the indicated temperatures may damage the plastic coating of the device.

Warranty

If this product fails due to a defect in material or workmanship during the time of periods listed below for each product, Ponte Giulio will replace or repair it free of charge. .
Warranty 2 YEARS