

B41DDS06XX Range Standard

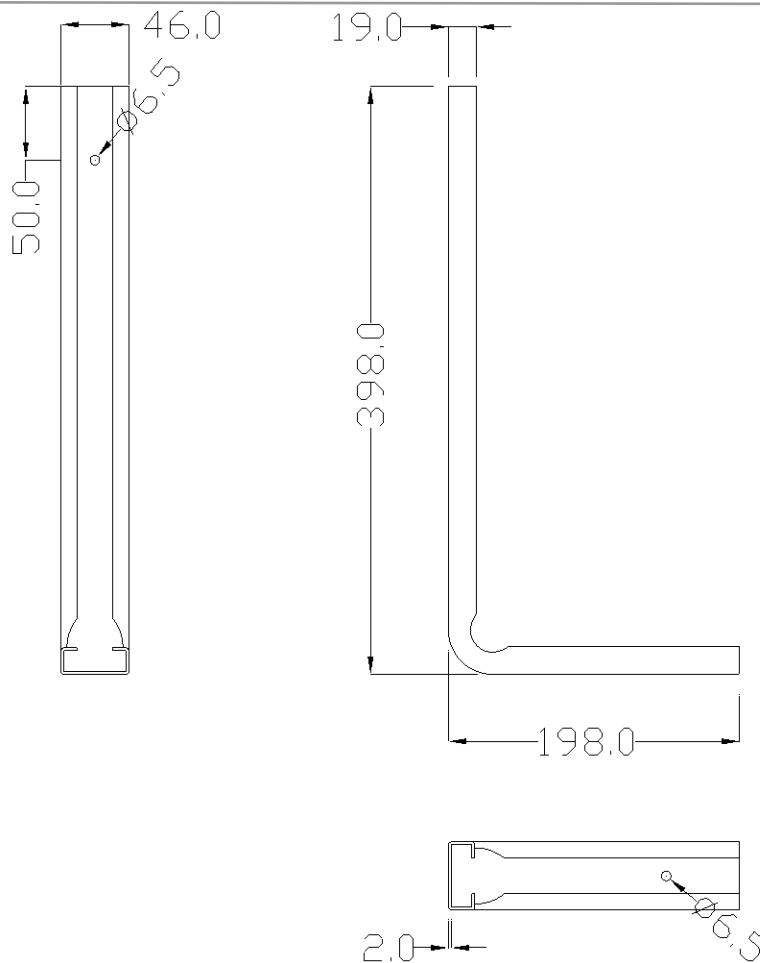
Support bracket for wall-hung WC pan

Physical data

Dimensions (mm.)	46x198x398
Weight (kg.)	2


Delivery methods

Package	Cardboard package
Package dimensions (mm.)	430x210x55
Weight with Packaging (kg.)	2,2



B41DDS06XX *Range* Standard

Available colors

N3
 Zync-plated

Materials and finishes

Steel Galvanised

Safety tips

Before installing and using the device, read the instructions for use and especially the safety warnings carefully and follow them.
If in doubt, contact the company before using the device.

Information on use

The device is not affected by the room's temperature, though it must NOT be installed in environments subject to temperatures below 4°C or above 40°C.
Do not install in saunas. Not comply with the indicated temperatures may damage the plastic coating of the device.

Warranty

If this product fails due to a defect in material or workmanship during the time of periods listed below for each product, Ponte Giulio will replace or repair it free of charge. .
Warranty 2 YEARS