



Code
G12JDSxx19

Product series
Seat and Benches

Product lines
Pur

Model

Description

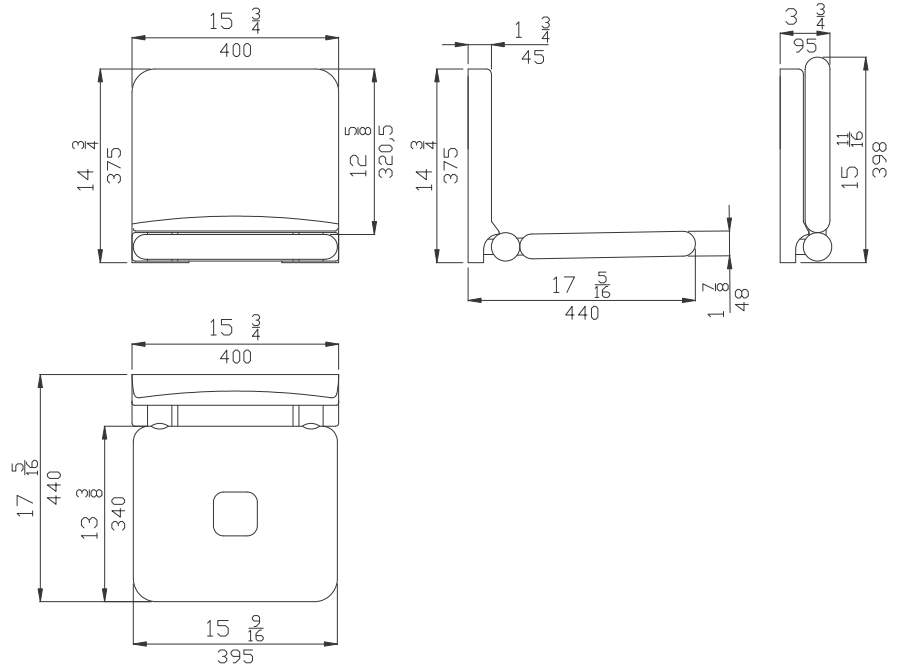
Folding seat with grey polyurethane basis and backrest

Standard / Guide line
UNI

Reliefs

Other characteristics

Colour	Technical
D1 Black	
D2 Grey	
G2 Light	



Mechanical Data

Height [in.]	15 11/16	Width [in.]	15 3/4	Depth [in.]	17 5/16
Diameter [in.]		Net Weight [lb.]	24,25lb	Side/Toward	Not Applicable

Fasteners

Not included with the product
Ponte Giulio suggest to use fasteners suitable to the wall characteristics on which the product will be installed.

Use modality

Use Wall installation
Cleaning Use normal detergents or disinfectants that are non abrasive and contain no solvents

Storing Store in closed and dry place

Vertical load [lb.] 450lb Horizontal load [lb.]

Packaging information

Package Nylon bag in cardboard packaging
Package external dimensions [WxDxH] [in.] Gross Weight [lb.]

Certifications

Specification	Norm	Agency
Not Applicable	N.a.	Not Applicable

Product composition

Part Description	Material	Finish
Structure	Steel [Aisi 304]	Rough finish
Seat	Polyurethane [PUR]	Opaque
Coating	Epoxy polyester	Glossy
Backrest	Polyurethane [PUR]	Rough finish