



Code
G01JDSxx41

Product series
Seat and Benches

Product lines
Tubocolor

Model

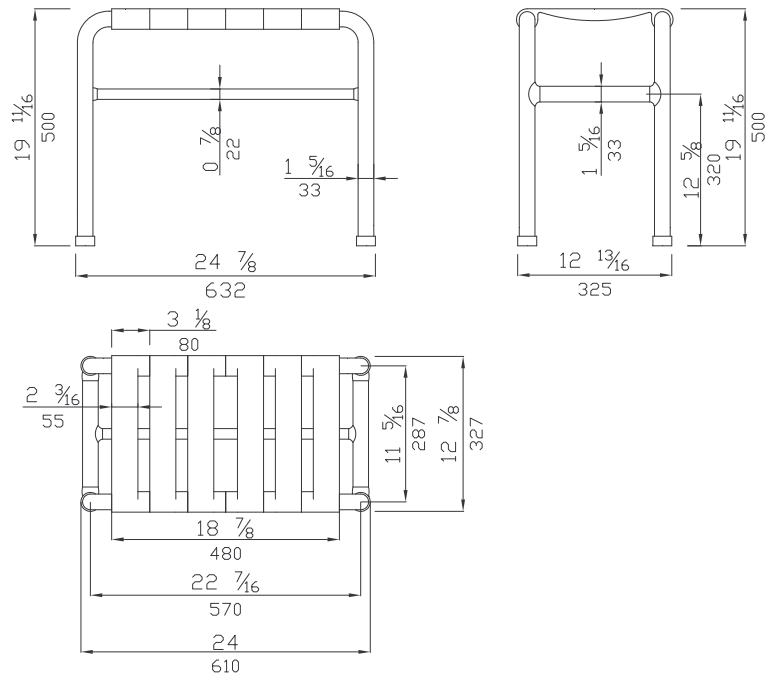
Description
Bench

Standard / Guide line
UNI

Reliefs

Other characteristics

Colour	Technical
B1	Blue
B2	Light Blue
D1	Black
D2	Grey
G1	Green
G2	Light
I1	Ivory
I2	Biscuit
R1	Red
W1	White
Y1	Yellow



Mechanical Data

Height [in.]	19 11/16	Width [in.]	24	Depth [in.]	12 13/16
Diameter [in.]	1 5/16	Net Weight [lb.]	19lb	Side/Toward	Not Applicable

Fasteners

Not included with the product

Use modality

Use Support

Cleaning Use normal detergents or disinfectants that are non abrasive and contain no solvents

Storing Store in closed and dry place

Vertical load [lb.] 450lb Horizontal load [lb.]

Packaging information

Package Nylon bag in cardboard packaging

Package external dimensions [WxDxH] [in.] 31 1/2x15 1/8x20 3/8 Gross Weight [lb.]

Certifications

Specification	Norm	Agency
Biocompatibility	DIN EN ISO 10993	Bioserv
CE	MDD 93/42	Ponte Giulio declaration [Italy]
Electrical insulation	EN 60664-1:2007	TÜV

Product composition

Part Description	Material	Finish
Structure, 3/4" hose	Steel [FE360]	Galvanised
Coating, 2.5 mm Ø33 extrusion	Vinyl 78ShA	Glossy
Seat, stave	Polyamide 6 [PA6]	Glossy