



Code
G01JDSxx29

Product series
Seat and Benches

Product lines
Tubicolor

Model

Description

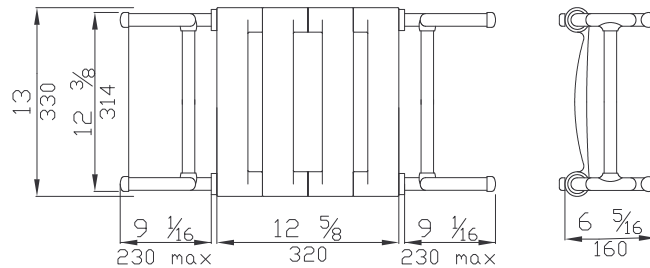
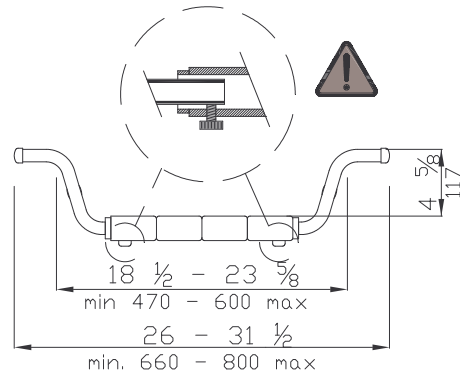
Removable, width adaptable, bathtub seat

Standard / Guide line
N.A.

Reliefs

Other characteristics

Colour	Technical
B1 Blue	
B2 Light Blue	
D1 Black	
D2 Grey	
G1 Green	
G2 Light	
I1 Ivory	
I2 Biscuit	
R1 Red	
W1 White	
Y1 Yellow	



Mechanical Data

Height [in.] 6 5/16	Width [in.] 31 1/2	Depth [in.] 19 3/16
Diameter [in.] 7/8	Net Weight [lb.] 9,26lb	Side/Toward Reversible

Fasteners

Not included with the product

Use modality

Use Support

Cleaning Use normal detergents or disinfectants that are non abrasive and contain no solvents

Storing Store in closed and dry place

Vertical load [lb.] 440lb Horizontal load [lb.]

Packaging information

Package Nylon bag in cardboard packaging

Package external dimensions [WxDxH] [in.] 25 5/8x9 7/16x15 3/4 Gross Weight [lb.] 11

Certifications

Specification	Norm	Agency
Biocompatibility	N.a.	HygCen [TÜV Italy]
EC	MDD 93/42	Ponte Giulio declaration [Italy]

Product composition

Part Description	Material	Finish
Structure, 3/8" hose	Steel [FE360]	Galvanised
Coating, 2.5 mm Ø33 extrusion	Vinyl 78ShA	Glossy